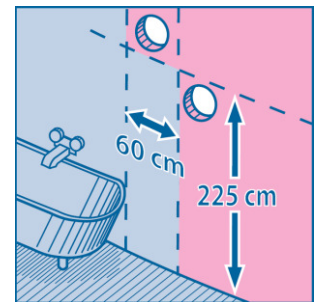
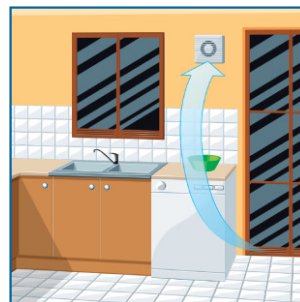
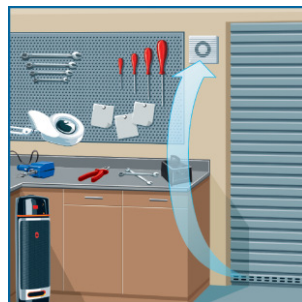
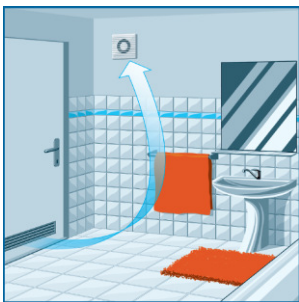


## EXHAUST FAN

### Features

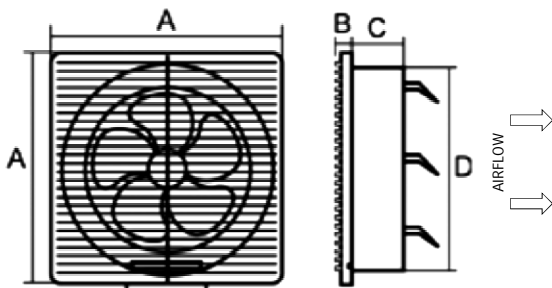
- Exhaust louver type.
- The fan shall be suitable for wall mounting.
- Condenser motor with thermo cut-off.
- Well lubricated bearing for long life operation.
- Propeller fan incorporated with advance blade design enables powerful airflow at low noise.
- Automatic shutter.
- Orifice equipped with oil cup collects oil drops effectively.
- Front louver with blind shutter enhances privacy and safety protection.
- Application Environment :



### Specifications

Model	Rated Voltage (v)	Input (w)	Air Flow (CFM)	Air Flow (m3/h)	Noise (dB)	Size (mm)
VF-APB 6	220-240V / 50Hz	25	195	330	37	150
VF-APB 8	220-240V / 50Hz	28	308	520	40	200
VF-APB 10	220-240V / 50Hz	36	509	860	42	250
VF-APB 12	220-240V / 50Hz	48	710	1200	47	300

### Dimensions



Model	A	B	C	D
VF-APB 6	225 x 225	48	75	193/172
VF-APB 8	295 x 295	48	85	242
VF-APB 10	345 x 345	48	90	290
VF-APB 12	400 x 400	48	95	345/342