

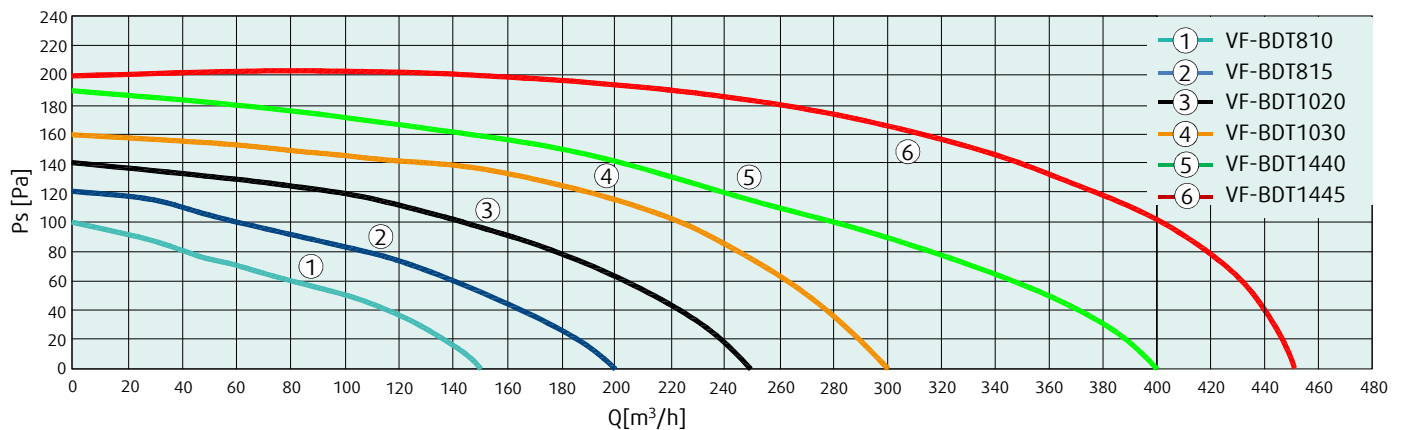
# VF-BDT TUBULAR VENTILATING FAN (Ultra-thin panel)

## Characters

- Made of high glossy ABS.
- Centrifugal wheel.
- Quiet operating.
- Long life motor with ball bearings.



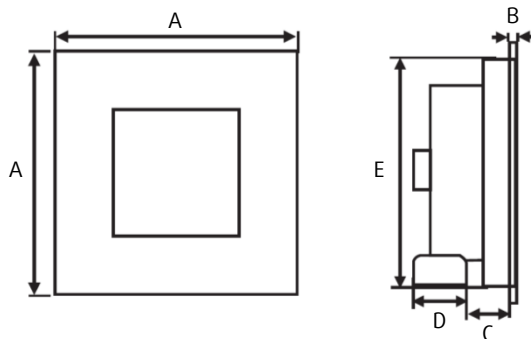
## Performance data



## Specifications

Model	Air Flow [m³/Hr]	RPM	Noise Level [dBA]	Input [w]	Voltage [v]	Amps [a]	Weight [kg]
VF-BDT810	150	1250	38	20	220-240V /50Hz	0.086	1.85
VF-BDT815	200	1200	40	25	220-240V /50Hz	0.099	2.06
VF-BDT1020	250	1000	43	28	220-240V /50Hz	0.13	2.80
VF-BDT1030	300	1100	45	30	220-240V /50Hz	0.14	2.80
VF-BDT1440	400	1100	47	68	220-240V /50Hz	0.48	3.15
VF-BDT1445	450	1200	49	77	220-240V /50Hz	0.48	3.15

## Dimensions



In metric

Model	A	B	C	D	E
VF-BDT810	256 x 256	10	51	98	205
VF-BDT815	270 x 270	10	51	98	228
VF-BDT1020	316 x 316	10	51	98	273
VF-BDT1030	316 x 316	10	51	98	273
VF-BDT1440	355 x 355	20	35	148	298
VF-BDT1445	355 x 355	20	35	148	298